



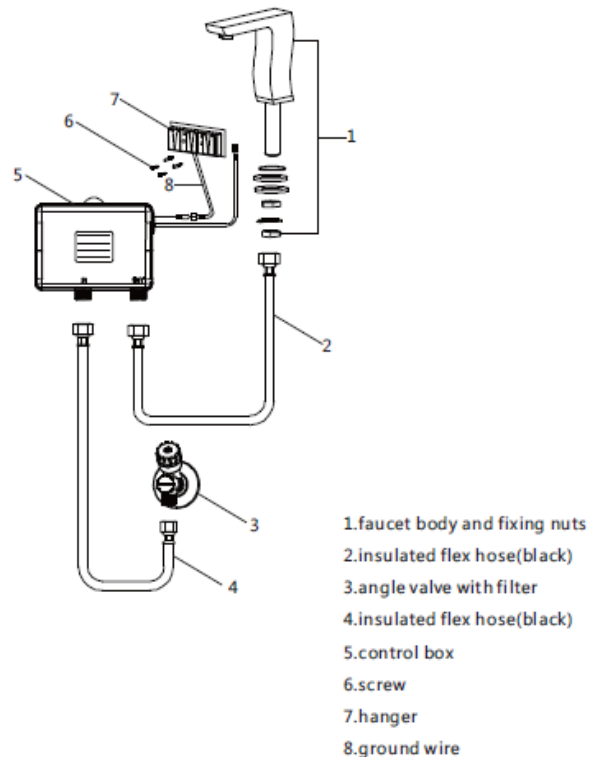
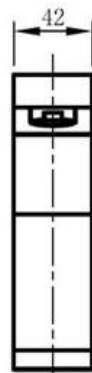
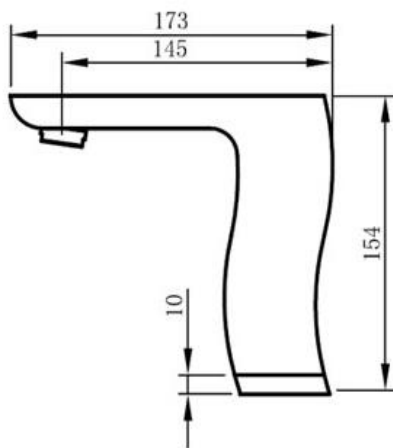
Brand : TCK, China
 Name : Capacitive sensor cold water tap
 Item Code : 201LT67 DC
 Designer :
 Color / Finish: Chrome
 Dimensions : (Please see data drawing below for dimensions)

Product info:

- Capacitive sensor basin tap
- DC 6V
- Solid Brass body
- Flow rate: 7 l/min. at 3 bar
- Flow pressure: 1~5 bar (15~70 psi)

Add-ons:

- 1x angle valve ½"x½" with filter
- 1x basin waste strainer or pop-up
- 1x basin waste trap



Flushing of pipe must be done before fittings are installed. Failure to do so voids the warranty.

Follow cleaning instructions and avoid using any harmful chemicals.

All information is for reference only. Installation shall always be based on the specs provided with actual delivered items.

For more info, visit www.sanitecph.com